

Incremental Rotary Encoder

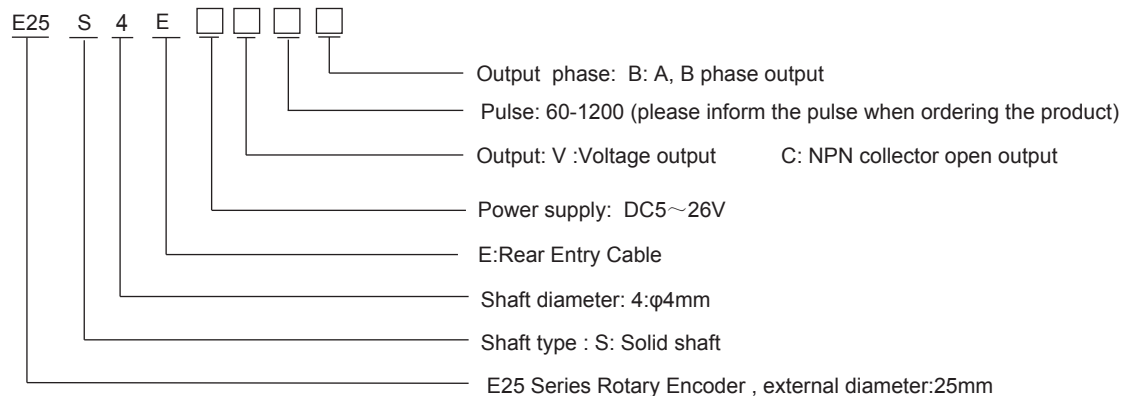
1. E25 Series Rotary Encoder

■ Features :



- 1.External Diameter:25mm
2. Shaft Diameter:4mm
3. Maximum Rotational Speed: 6000r/min
4. Shaft Load≤9.8N
5. Protection Class : IP54
- 6.Frequency Response: 0-100kHz
7. Mini size , saving install space, optional output mode

■ Model Illustration

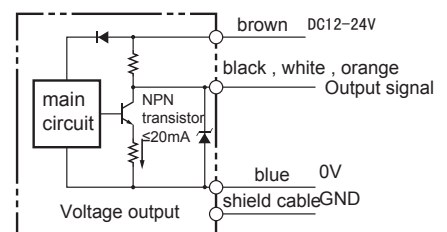
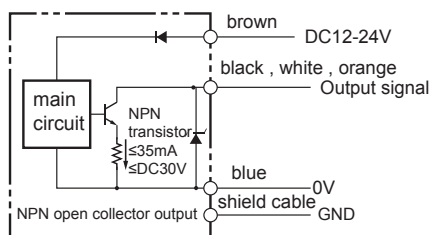


Normal use pulse: 60 , 100 , 200, 360, 400, 500, 600, 800, 1000 (other pulse can be ordered)

■ Technical Datasheet

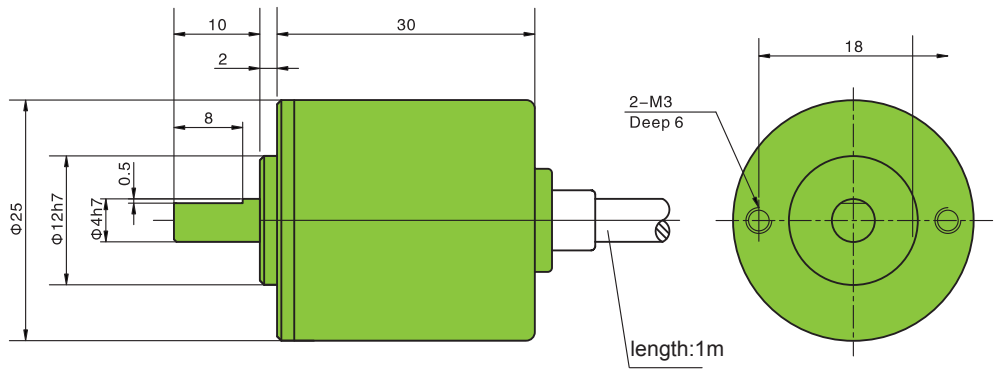
Power supply	5-26V DC	output signal	Voltage output	Load current: Max.10mA , Residual voltage : max.0.4V DC
Maximum speed	6000r/min			
Working Temperature	-20 °C - +85°C			
Current Requirement	≤60mA		NPN open collector output	Load current: Max.30mA Residual voltage: Max.0.4VDC
Frequency response	0~100kHz			
Output Phase	A B phase			
Output Pulse	60 , 100, 200, 360, 400, 500, 600, 800, 1000, 1024, 1200 (other pulse can be ordered)			

■ Wire Connection



wire color	brown	blue	black	red	white	gray	orange	yellow	shield
NPN collector open output	Vcc	OV	A	-	B	-	Z	-	G
Voltage output									

■ Dimension (unit:mm)



Incremental Rotary Encoder

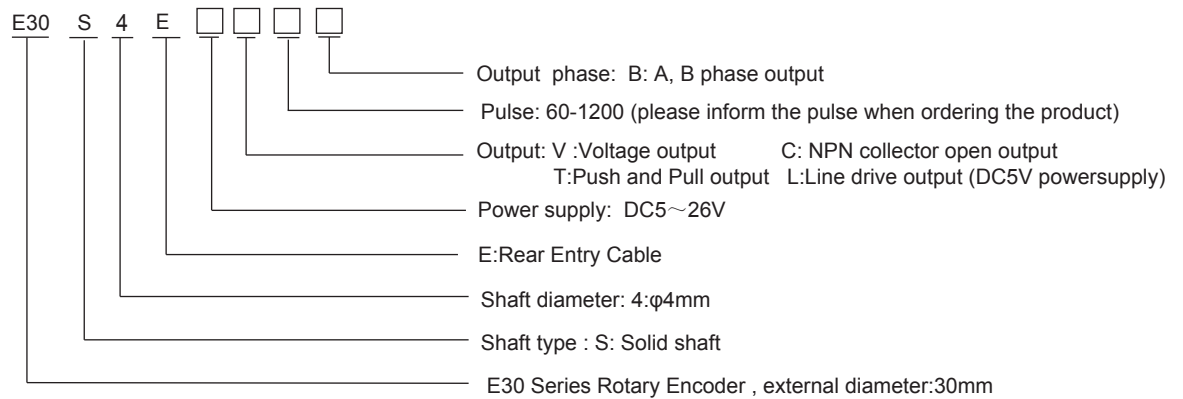
1、E30 Series Rotary Encoder

■ Features :



- 1.External Diameter:30mm
2. Shaft Diameter:4mm
3. Maximum Rotational Speed: 6000r/min
4. Shaft Load \leq 9.8N
5. Protection Class : IP54
- 6.Frequency Response: 0-100kHz
- 7.Small size , saving install space, optional output mode

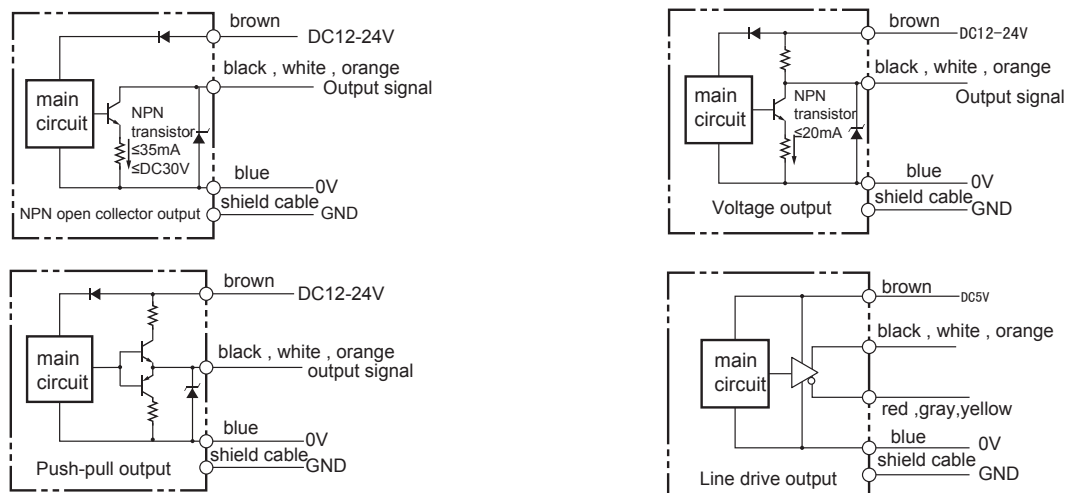
■ Model Illustration



■ Technical Datasheet

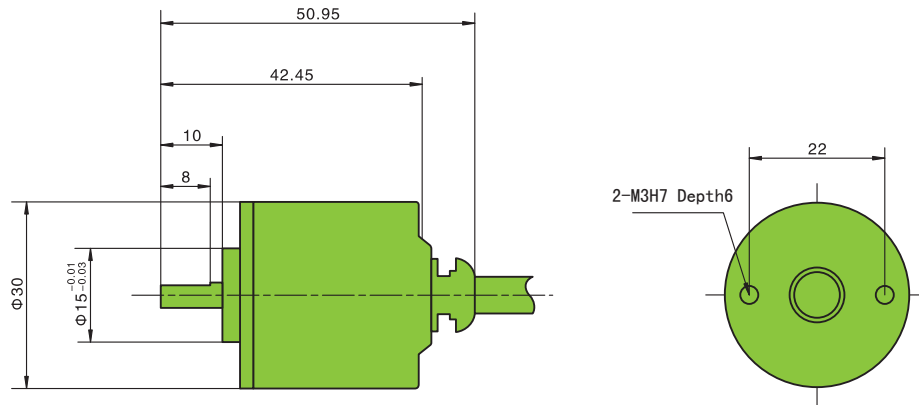
Power supply	5-26V DC	output signal	Voltage output	load current: Max.10mA , residual voltage : max.0.4V DC
Maximum speed	6000r/min		Push and pull output	Low : load current: max.30mA , residual voltage: max.0.4VDC High: load current: max.10mA Output voltage(power voltage 5VDC): Min.(power voltage-2.0)VDC Output voltage (power voltage 12-24VDC): Min.(power voltage-3.0)VDC
Working Temperature	-20 °C - +85°C		NPN open collector output	load current: Max.30mA residual voltage: Max.0.4VDC
Current Requirement	\leq 60mA		Line drive output	Low: load current: max.20mA , residual voltage: max.0.5VDC High: load current: max.-20mA , residual voltage: min.2.5VDC
Frequency response	0-100kHz			
Output Phase	A B phase			
Output Pulse	60 , 100, 200, 360, 400, 500, 600, 800, 1000, 1024, 1200 (other pulse can be ordered)			

■ Wire Connection



wire color	brown	blue	black	red	white	gray	orange	yellow	shield
NPN collector open output Push-Pull output Voltage output	Vcc	OV	A	-	B	-	Z	-	G
Line drive output	Vcc	OV	A	\bar{A}	B	\bar{B}	Z	\bar{Z}	G

■ Dimension (unit:mm)



Incremental Rotary Encoder

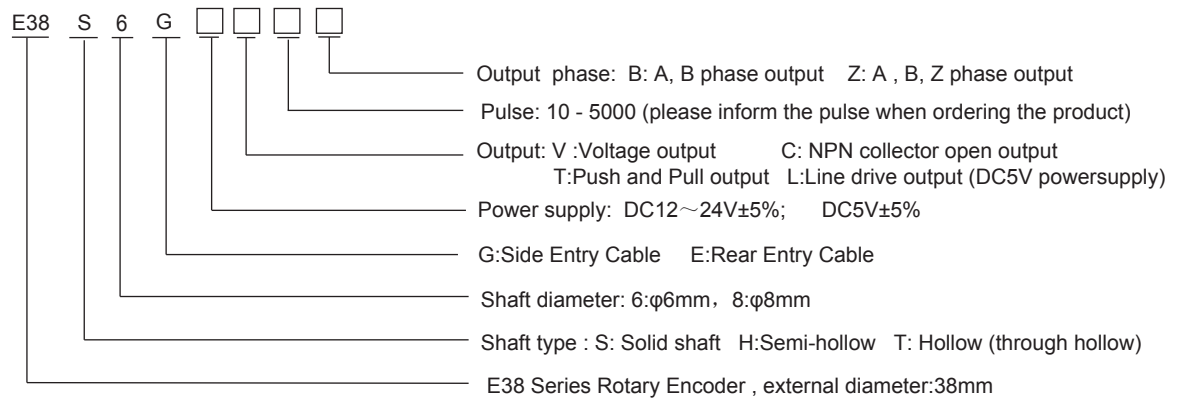
2、E38 Series Rotary Encoder

■ Features :



- 1.External Diameter:38mm
2. Shaft Diameter:6mm/8mm
3. Rotational Speed: 6000r/min
4. Shaft Load≤10N
5. Protection Class : IP54
- 6.Frequency Response: 0-100kHz
- 7.Sturdy and durable, easy to install, optional various output mode

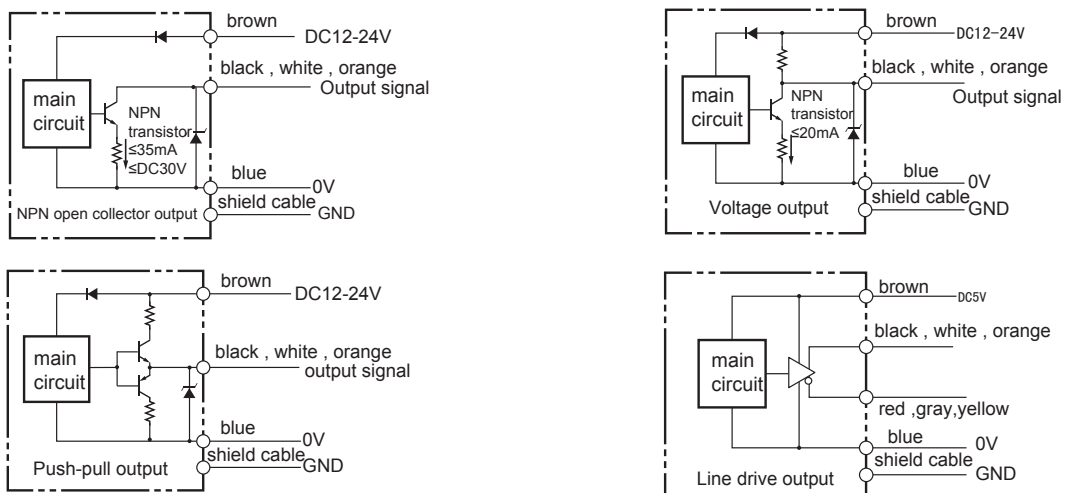
■ Model Illustration



■ Technical Datasheet

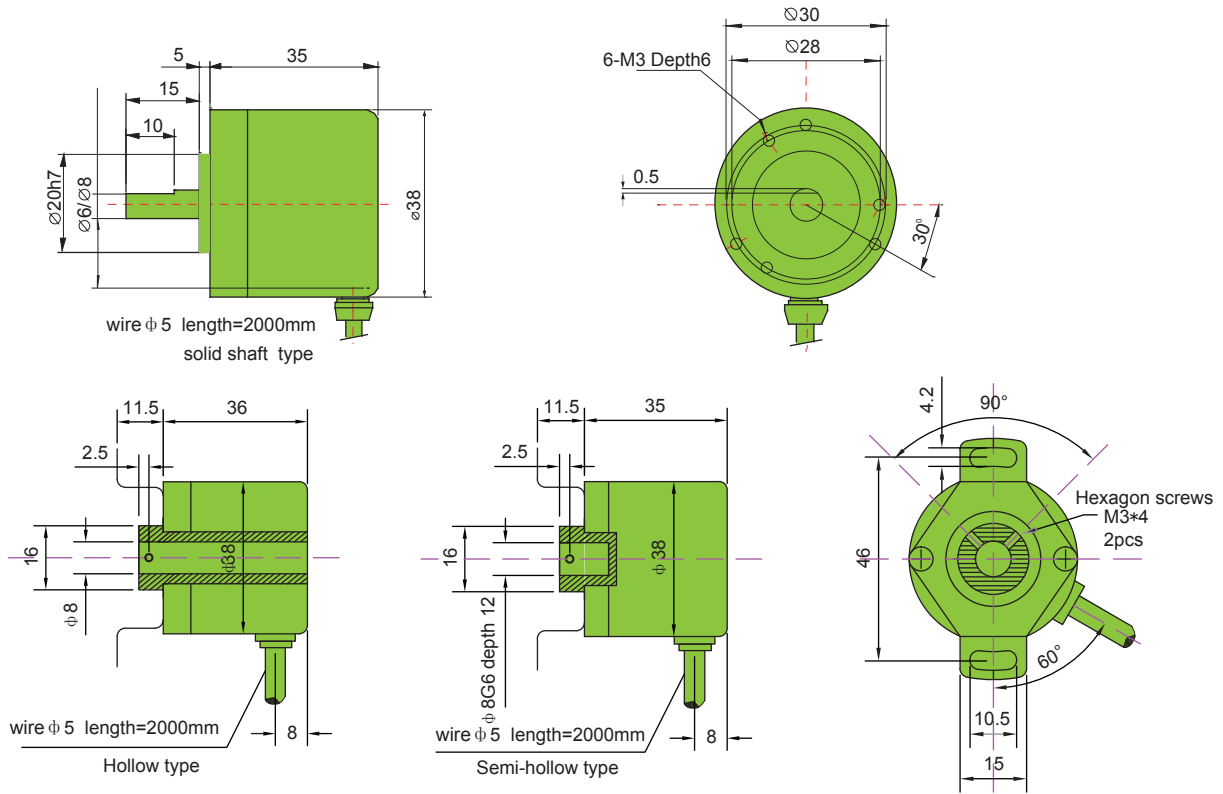
Power	Power supply	line drive output:DC 5V ±5% Other output:DC 12~24V ±5%	Voltage output	load current: Max.10mA , residual voltage : max.0.4V DC	
	Current consumption	≤ 60mA		Push and pull output	Low : load current: max.30mA , residual voltage: max.0.4VDC High: load current: max.10mA Output voltage(power voltage 5VDC): Min.(power voltage-2.0)VDC Output voltage (power voltage 12-24VDC): Min.(power voltage-3.0)VDC
	Withstand voltage	750VAC 50/60Hz for 1minute			output signal
output wave	signal mode	A ,B phase+Z phase (zero position)	Line drive output	Low: load current: max.20mA , residual voltage: max.0.5VDC High: load current: max.-20mA , residual voltage: min.2.5VDC	
	Frequency response	100kHz			
	Maximum revolution	6000r/min			
	Output Pulse	10-5000			
Phase difference width	25 ±12.5%				
Z phase signal width	100 ±50%				

■ Wire Connection



wire color	brown	blue	black	red	white	gray	orange	yellow	shield
NPN collector open output Push-Pull output Voltage output	Vcc	OV	A	-	B	-	Z	-	G
Line drive output	Vcc	OV	A	\bar{A}	B	\bar{B}	Z	\bar{Z}	G

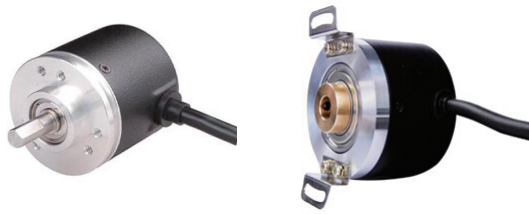
■ Dimension (unit:mm)



Incremental Rotary Encoder

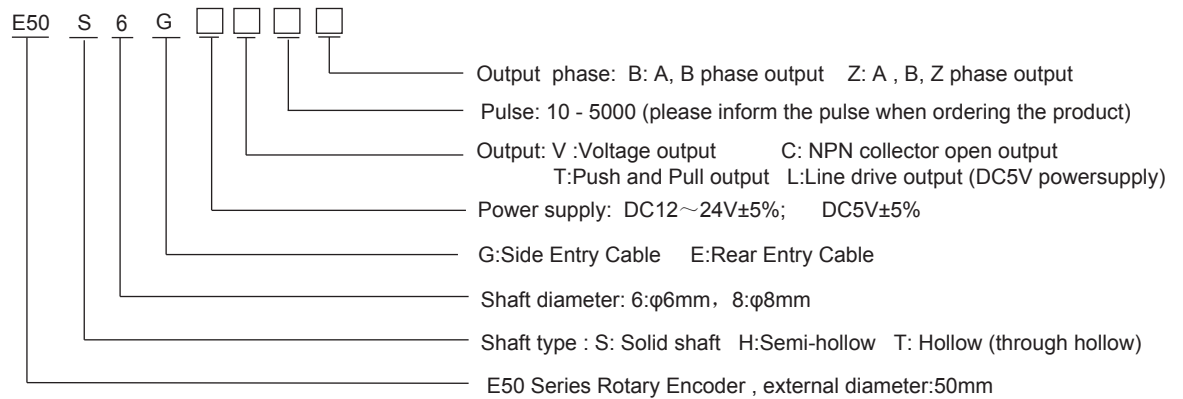
2、E50 Series Rotary Encoder

■ Features :



- 1.External Diameter:50mm
2. Shaft Diameter:6mm/8mm
3. Rotational Speed: 6000r/min
4. Shaft Load≤10N
5. Protection Class : IP54
- 6.Frequency Response: 0-100kHz
- 7.Sturdy and durable, easy to install, optional various output mode

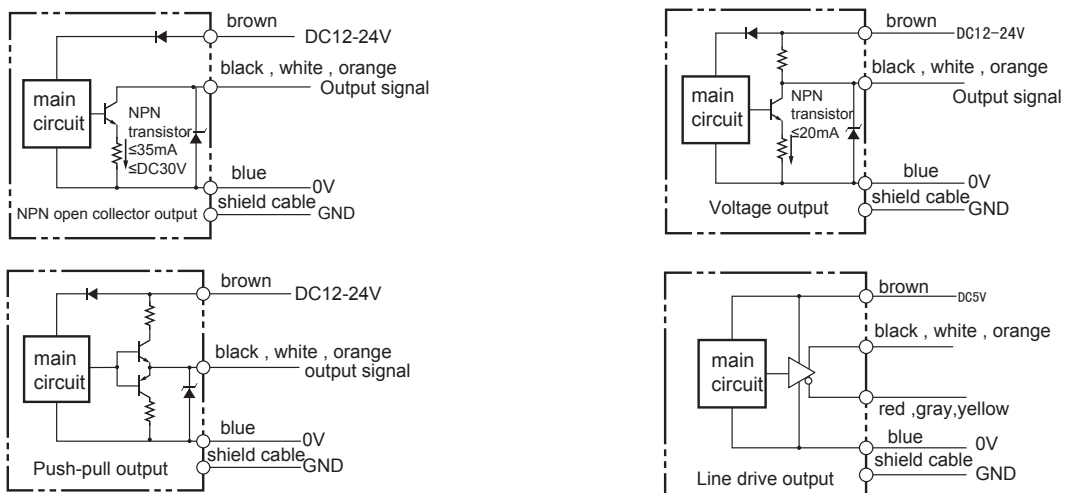
■ Model Illustration



■ Technical Datasheet

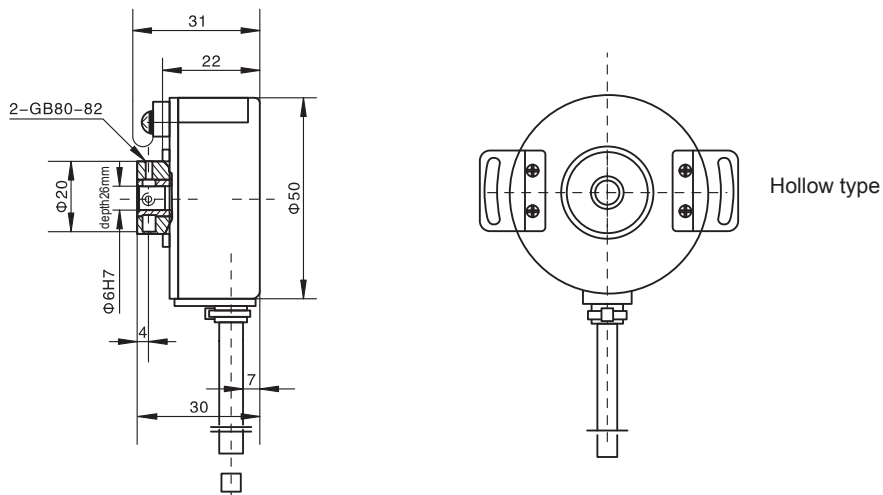
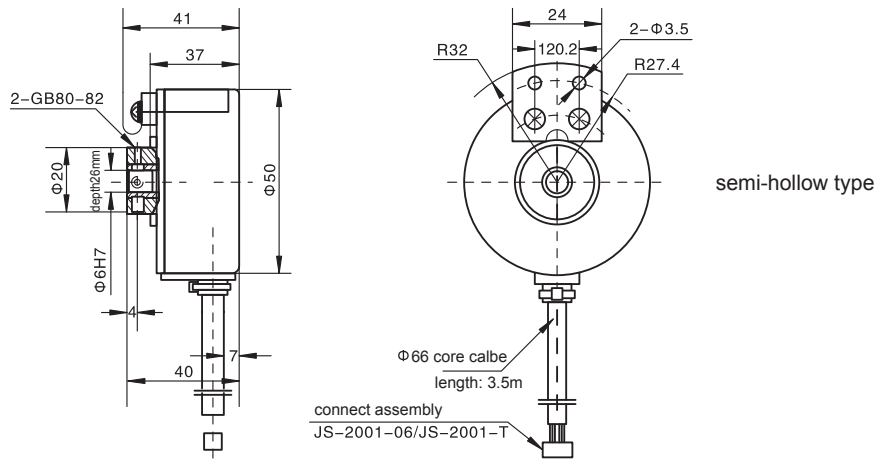
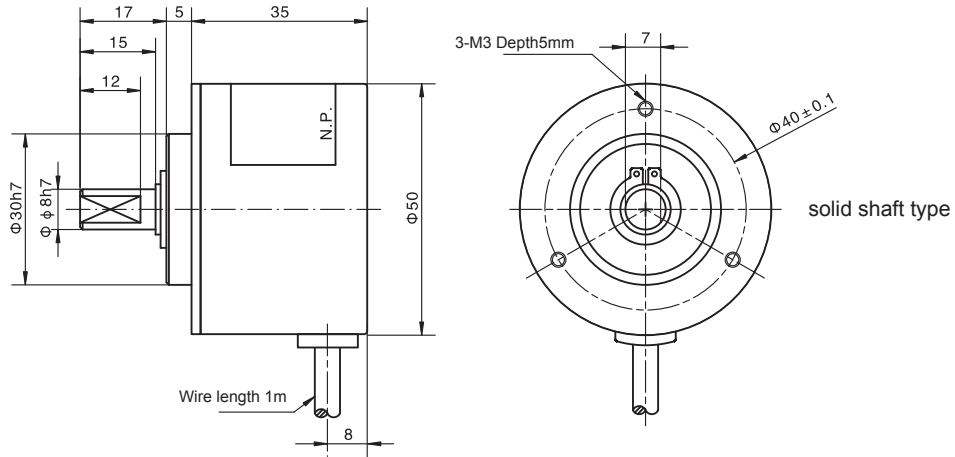
Power	Power supply	line drive output:DC 5V ±5% Other output:DC 12~24V ±5%	Voltage output	load current: Max.10mA , residual voltage : max.0.4V DC	
	Current consumption	≤ 60mA		Push and pull output	Low : load current: max.30mA , residual voltage: max.0.4VDC High: load current: max.10mA Output voltage(power voltage 5VDC): Min.(power voltage-2.0)VDC Output voltage (power voltage 12-24VDC): Min.(power voltage-3.0)VDC
	Withstand voltage	750VAC 50/60Hz for 1minute			output signal
output wave	signal mode	A ,B phase+Z phase (zero position)	Line drive output	Low: load current: max.20mA , residual voltage: max.0.5VDC High: load current: max.-20mA , residual voltage: min.2.5VDC	
	Frequency response	100kHz			
	Maximum revolution	6000r/min			
	Output Pulse	10-5000			
Phase difference width	25 ±12.5%				
Z phase signal width	100 ±50%				

■ Wire Connection



wire color	brown	blue	black	red	white	gray	orange	yellow	shield
NPN collector open output Push-Pull output Voltage output	Vcc	OV	A	-	B	-	Z	-	G
Line drive output	Vcc	OV	A	\bar{A}	B	\bar{B}	Z	\bar{Z}	G

■ Dimension (unit:mm)



Incremental Rotary Encoder

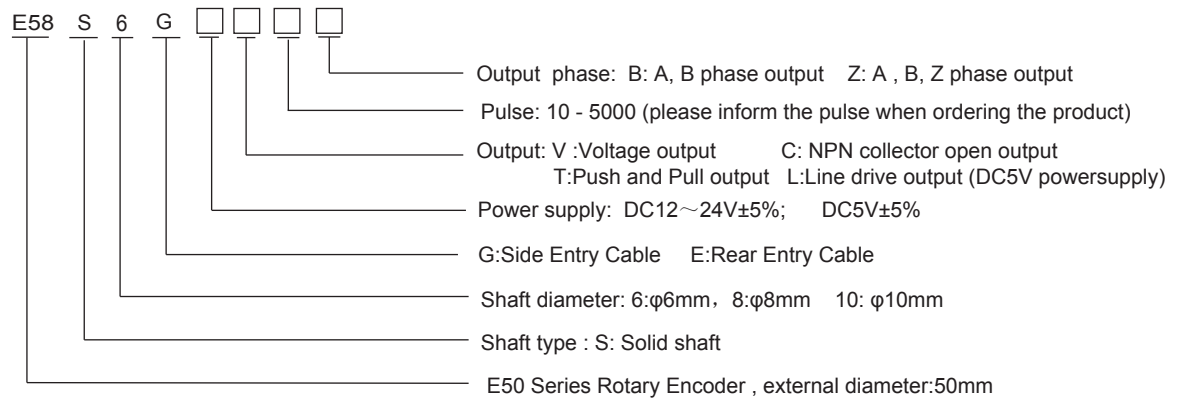
2、E58 Series Rotary Encoder

■ Features :



- 1.External Diameter:58mm
2. Shaft Diameter:6mm/8mm/10mm
3. Rotational Speed: 6000r/min
4. Shaft Load≤10N
5. Protection Class : IP54
- 6.Frequency Response: 0-100kHz
- 7.Sturdy and durable, easy to install, optional various output mode

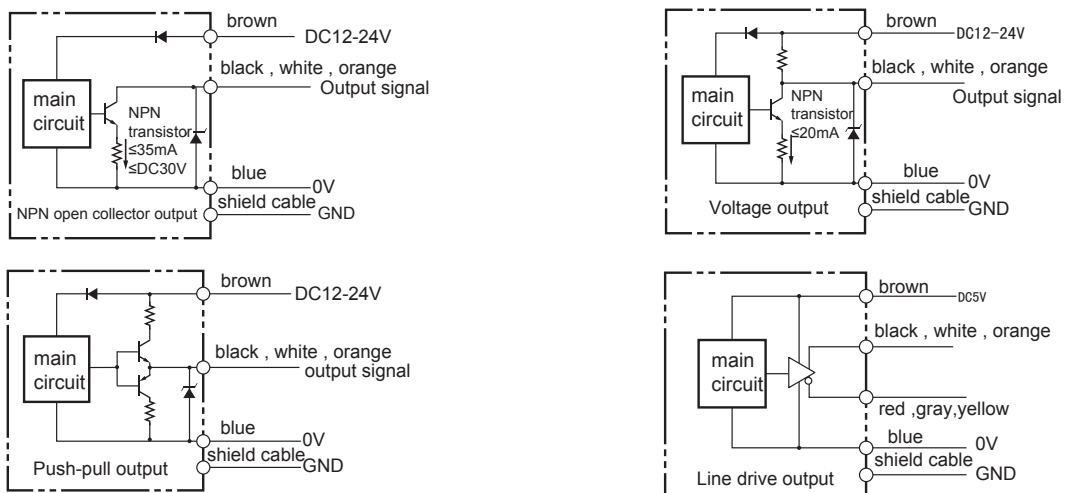
■ Model Illustration



■ Technical Datasheet

Power	Power supply	line drive output:DC 5V ±5% Other output:DC 12~24V ±5%	output signal	Voltage output	load current: Max.10mA , residual voltage : max.0.4V DC
	Current consumption	≤ 60mA		Push and pull output	Low : load current: max.30mA , residual voltage: max.0.4VDC High: load current: max.10mA Output voltage(power voltage 5VDC): Min.(power voltage-2.0)VDC Output voltage (power voltage 12-24VDC): Min.(power voltage-3.0)VDC
	Withstand voltage	750VAC 50/60Hz for 1minute		NPN open collector output	load current: Max.30mA residual voltage: Max.0.4VDC
output wave	signal mode	A ,B phase+Z phase (zero position)		Line drive output	Low: load current: max.20mA , residual voltage: max.0.5VDC High: load current: max.-20mA , residual voltage: min.2.5VDC
	Frequency response	100kHz			
	Maximum revolution	6000r/min			
	Output Pulse	10-5000			
	Phase difference width	25 ±12.5%			
	Z phase signal width	100 ±50%			

■ Wire Connection



wire color	brown	blue	black	red	white	gray	orange	yellow	shield
NPN collector open output Push-Pull output Voltage output	Vcc	OV	A	-	B	-	Z	-	G
Line drive output	Vcc	OV	A	\bar{A}	B	\bar{B}	Z	\bar{Z}	G

■ Dimension (unit:mm)

