

## A - Features

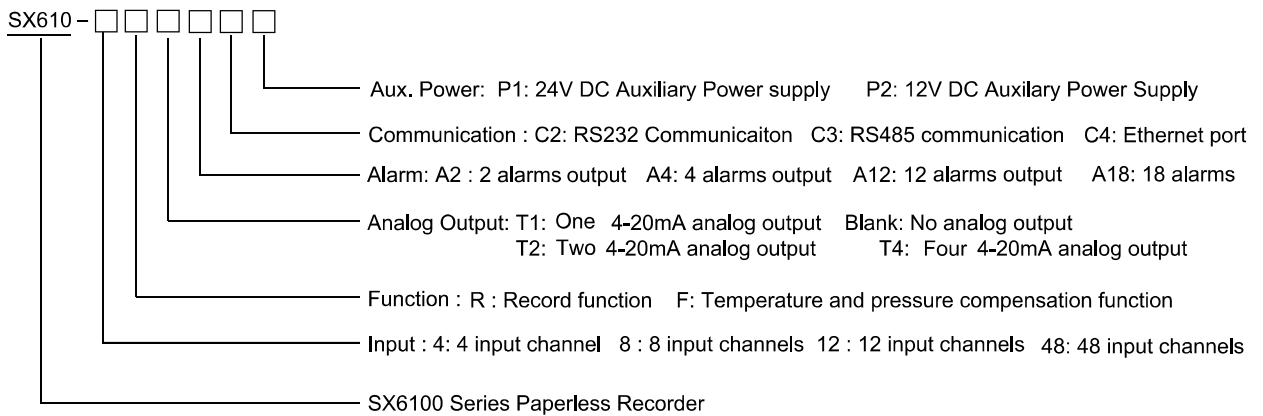
- ▶ 7" color display screen with wide range display.
- ▶ Maximum support 48 input
- ▶ Support both SD card and USB port , and support external memory expanding function.
- ▶ Real -time clock, which can run accurately in case of power down
- ▶ Optional RS232 / RS485 or ethernet port.
- ▶ Signal full- scale accuracy:  $\pm 0.2\%$ .
- ▶ With short depth , save installation space.
- ▶ Universal input signal , PID control function and flow totalizing function can be ordered.
- ▶ Can set display language freely , English or Chinese . Other language can be ordered.
- ▶ Touch sreen can be ordered.



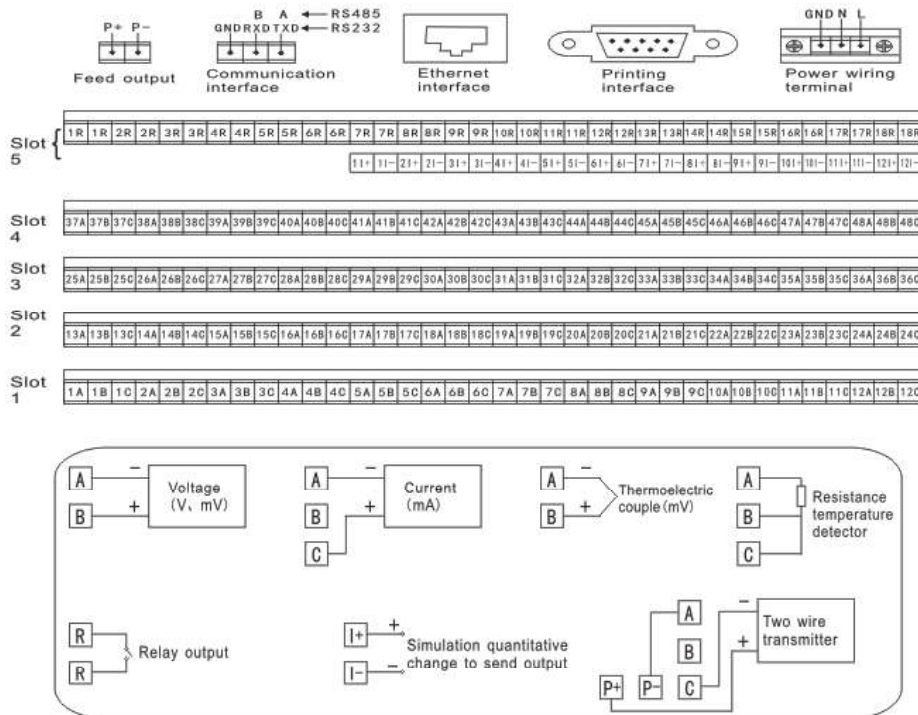
## B -Technical Specification

Parameter	Specification
Input Channels	1 to 48 channels
Display	7" TFT color display
Record Interval	Can be set (minimum interval is 1second)
Trend Display Mode	Optional Horizontal and vertical
Operating condition	Ambient temperature: 0-50 °C Humidity: 0% -85% (non-condensing)
Print Function	Manual print or automatic print
Input Method	T6 input method,supports numbers,characters, special symbols ect
Communication Interface	RS-485 or RS-232C or ethernet
Alarm Output	Maximum 18 alarms relay output (need more , can be ordered)
Values Display Range	-9999 ~ 19999
Signal full-scale accuracy	$\pm 0.2\%$ .F.S
Analog Output	Optional 1-12 loops 4-20mA analog output
Dimensions	185(W)*154(H)*156(D) mm
Weight	4kg

## - C - Model Illustration



## - D - Connection Drawing



## - E - Dimension

